



630 Series Commercial/Industrial Regulators

Introduction

The 630 Series commercial/industrial regulators are large capacity, high-pressure units for use in conjunction with S302G or S202G Series regulators. They can also be used on final-stage (pounds-to-pounds) service.

A 1805 Series relief valve is recommended to prevent excessive build-up in the downstream line.

Body Sizes and End Connection Style

2-inch FNPT

Flow Coefficient

Wide Open C_g for Relief Sizing: 216

Flow Capacity⁽¹⁾⁽²⁾

14 000 000 BTU/hr (158 SCMH) Propane

Maximum Allowable Inlet Pressure

250 psig (17,2 bar)

Outlet Pressure Range

8 to 20 psig (0,55 to 1,4 bar)

Outlet Pressure Setting

10 psig (0,69 bar)

Temperature Capabilities

-20° to 150°F (-29° to 66°C)

Approximate Weight

35 pounds (15,88 kg)

Additional Technical Data

For more technical information, contact your local LP-Gas Equipment Distributor or log on to: www.emersonprocess.com/regulators/lp

1. Capacity base on inlet pressure 20 psig (1,38 bar) greater than outlet pressure and 20% droop.
2. Metric conversion is based on 2516 BTU/ft³ of gas at 60°F (16°C).



Figure 1. 630 Series Commercial/Industrial Regulator

Features

- Rugged Construction
- Better Control of Low Pressure Settings

Table 1. Outlet Pressure Range				
OUTLET PRESSURE RANGE, PSIG (bar)	SPRING PART NUMBER	SPRING COLOR CODE	SPRING WIRE DIAMETER, INCHES (mm)	SPRING FREE LENGTH, INCHES (mm)
8 to 20 (0,55 to 1,4)	0W019127022	Olive drab	0.28 (7,11)	6.0 (152)

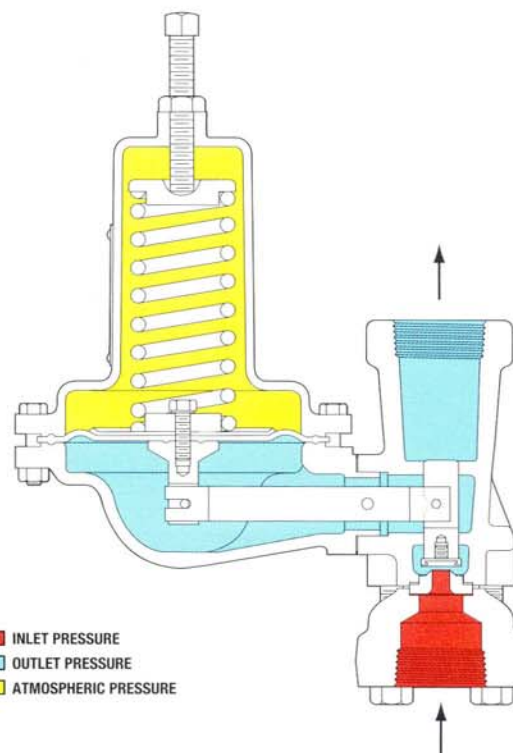


Figure 2. Operational Schematic

630 Series Commercial/Industrial Regulators

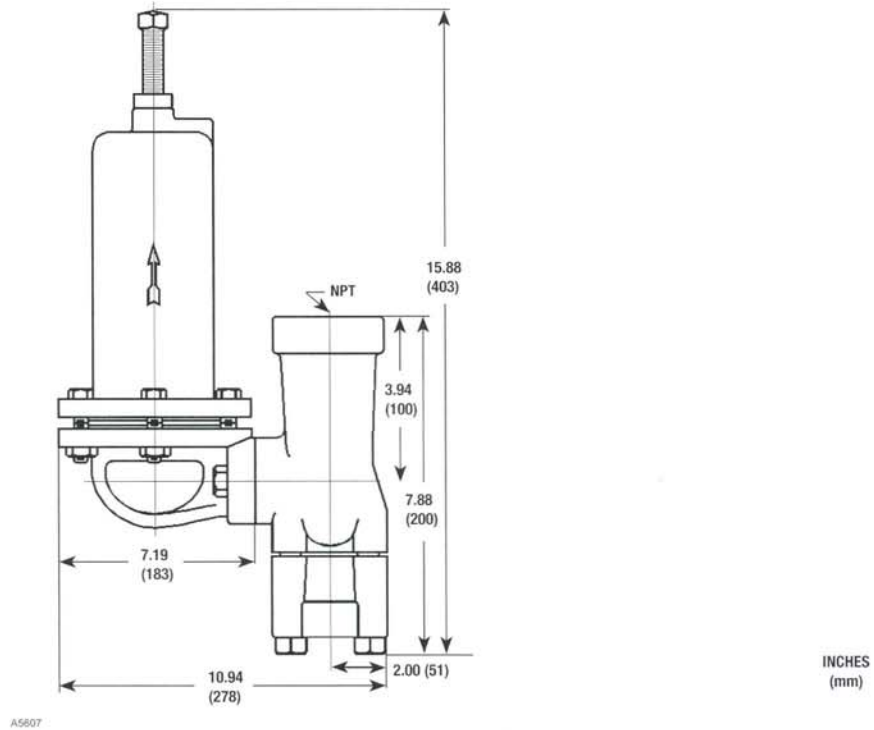


Figure 3. Dimensions

Table 2. Construction Materials					
BODY, SPRING CASE, AND DIAPHRAGM ADAPTOR	VALVE DISK	DIAPHRAGM	ORIFICE	VALVE DISK HOLDER	INLET BODY GASKETS
Cast iron	Nitrile (NBR)	Neoprene (CR) or Fluoroelastomer (FKM)	Brass or Stainless steel	Brass or Stainless steel	Inlet Body Gaskets: Copper with brass trim or Stainless steel with Stainless steel trim Other Gaskets: Composition

Ordering Guide

Ordering Information			
TYPE NUMBER	INLET AND OUTLET CONNECTIONS, INCH	ORIFICE SIZE, INCH	APPROXIMATE WEIGHT, POUNDS (kg)
630-104-78	2 FNPT	1/2	35 (15.88)

To order, refer to the Ordering Information table above and specify the type number that satisfies your requirement. Then, contact or visit your local LP-Gas Equipment Distributor for availability.